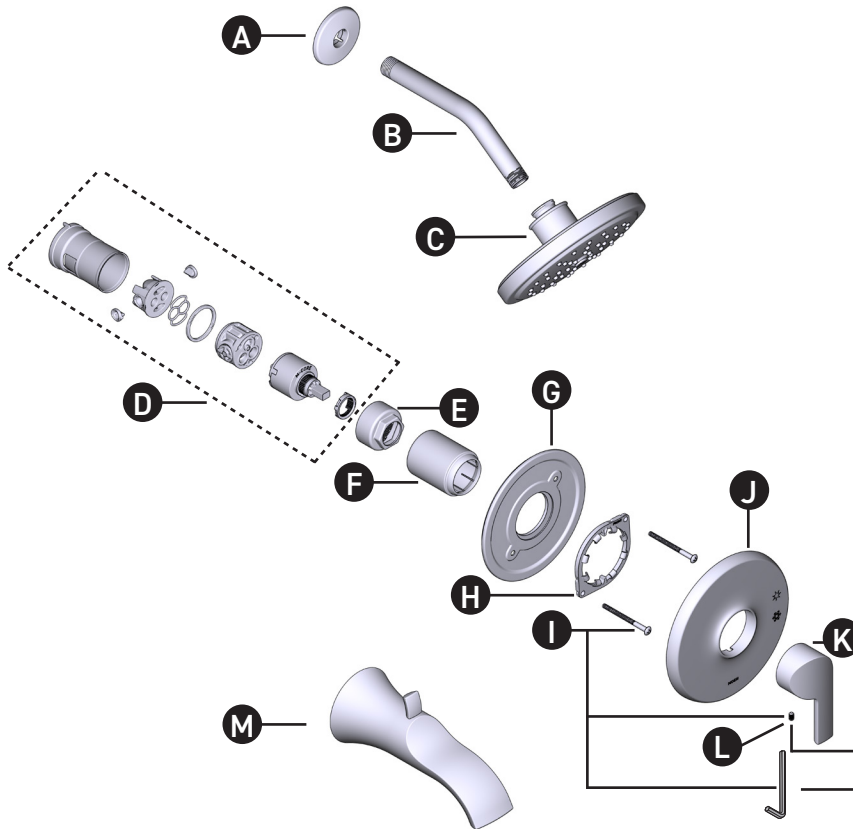


# MOEN®

ORDER BY PART NUMBER

VALVE TRIM ONLY	SHOWER TRIM ONLY	TUB SHOWER TRIM	FINISH
UTS2201	UTS2202EP	UTS2203EP	Chrome
UTS2201BN	UTS2202EPBN	UTS2203EPBN	Brushed Nickel
UTS2201BL	UTS2202EPBL	UTS2203EPBL	Matte Black

EP=1.75 GPM HEAD



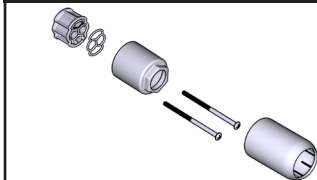
## Illustrated Parts

DOUX™

Single-Handle M-CORE™ 2-Series Trim

ID	Kit Description	Kit Number	Finish
A	Shower Arm Flange	137488	Chrome
		137488BN	Brushed Nickel
		137488BL	Matte Black
B	Shower Arm	123815	Chrome
		123815BN	Brushed Nickel
		123815BL	Matte Black
C	Shower Head (1.75 gpm)	S176EP	Chrome
		S176EPBN	Brushed Nickel
		S176EPBL	Matte Black
D	Cartridge Assembly	1212	N/A
E	Cartridge Nut	200762	N/A
F	Sleeve	200776	Chrome
		200776BN	Brushed Nickel
		200776BL	Matte Black
G	Backing plate	200766	N/A
H	Snap Ring	200772	N/A
I	Backing Plate Screws (x2)	200764	N/A
J	Escutcheon Kit	206306	Chrome
		206306BN	Brushed Nickel
		206306BL	Matte Black
K	Handle Kit	200794	Chrome
		200794BN	Brushed Nickel
		200794BL	Matte Black
L	Set Screw (Requires 3 3/32" Hex Key)	40057	N/A
M	Diverter Tub Spout	S3835	Chrome
		S3835BN	Brushed Nickel
		S3835BL	Matte Black

### OPTIONAL: 1" Handle Extension Kit



MODEL	FINISH
200779	Chrome
200779BN	Brushed Nickel
200779BL	Matte Black

